



# MACRO OPTOELECTRONIC CO., LIMITED

Add: Hans Industrial Park, Chongqing Road, Fuyong Town, Bao'an District, Shenzhen, Guangdong, China  
 Tel: 0755-36936875 Fax: 0755-23212809 Email: info@macroledlight.com

## ◆ Dimmable LED Panel Series



### I. Features

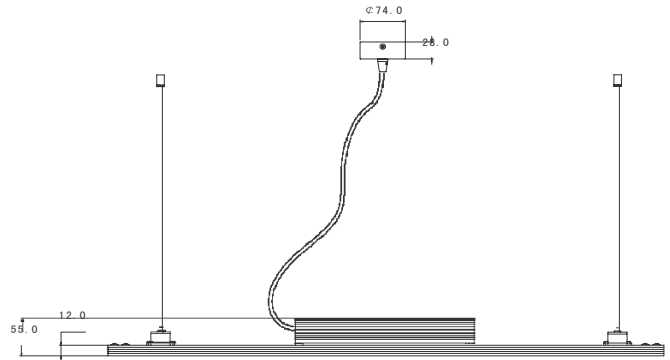
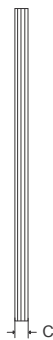
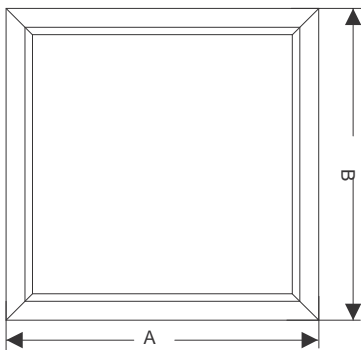
1. Super bright LED as lighting sources;
2. TUV, CE certificated;
3. Input voltage: AC100-240V;
4. Imported light diffusion material, mercury and lead free;
5. High lumen output, high efficiency, energy saving up to 60%;
6. Excellent heat dissipation structure, long lifespan, normal use can reach over 30,000hours;
7. Lead free, eco-friendly, conform to the requirements of RoHS.

### II. Applications

1. Hotels;
2. Meeting rooms;
3. Factories or offices;
4. Commercial lightings;
5. Residential or public facilities;
6. Schools;
7. Hospitals;
8. Everywhere for energy-saving and high CRI lighting area.



### III. Product Dimension



Unit: mm

### IV. Product Parameter

#### Technical Parameter

No.	Model	Dimension(mm)			LED Type	Material	Input Voltage	Working Temperature	Installation Method	IP Rating	N.W.(±0.1kg)
		A	B	C							
1	MPL-0303-15W	300	300	12	SMD3528	Aluminum + PMMA	AC100~240V	-10°C~40°C	Embedded /Hanging	IP40	1.3kg
2	MPL-0303-26W	300	300	12	SMD5630		AC100~240V	-10°C~40°C		IP40	1.3kg
3	MPL-0603-24W	600	300	12	SMD3528		AC100~240V	-10°C~40°C		IP40	2.4kg
4	MPL-0603-30W	600	300	12	SMD5630		AC100~240V	-10°C~40°C		IP40	2.4kg
5	MPL-0606-40W	595	595	12	SMD3528		AC100~240V	-10°C~40°C		IP40	4.4kg
6	MPL-0606-60W	595	595	12	SMD5630		AC100~240V	-10°C~40°C		IP40	4.4kg
7	MPL-0606-40W	600	600	12	SMD3528		AC100~240V	-10°C~40°C		IP40	4.5kg
8	MPL-0606-60W	600	600	12	SMD5630		AC100~240V	-10°C~40°C		IP40	4.5kg
9	MPL-1203-40W	1200	300	12	SMD3528		AC100~240V	-10°C~40°C		IP40	4.3kg
10	MPL-1203-60W	1200	300	12	SMD5630		AC100~240V	-10°C~40°C		IP40	4.3kg

## ◆ Dimmable LED Panel Series

### Technical Parameter

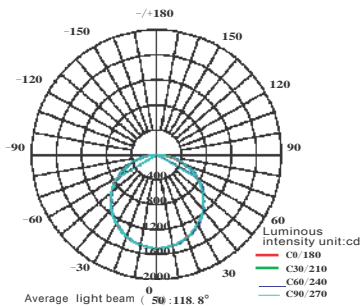
No.	Model	Dimension(mm)			LED Type	Material	Input Voltage	Working Temperature	Installation Method	IP Rating	N.W.(±0.1Kg)
		A	B	C							
1	MPL-1206-46W	1200	600	12	SMD3528	Aluminum + PMMA	AC100~240V	-10℃~40℃	Embedded /Hanging	IP40	8.7kg
2	MPL-1206-70W	1200	600	12	SMD5630		AC100~240V	-10℃~40℃		IP40	8.7kg

### Photoelectric Parameter

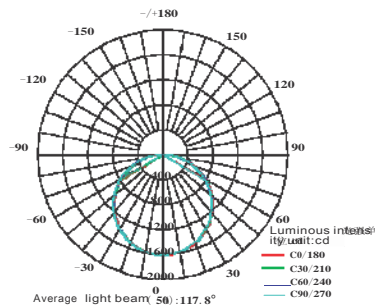
No.	Model	CCT	Luminous Flux (±10%)	LED Power	Light Efficiency (±10%)	CRI	Lux at 2m(±10%)	PF	Beam Angle	Dimmable
1	MPL-0303-15W	2900~6500K	1400lm	15W	70lm/W	Ra>70	100lx	>0.95	120°	Yes
2	MPL-0303-26W	2900~6500K	2400lm	26W	80lm/W	Ra>70	170lx	>0.95	120°	Yes
3	MPL-0603-24W	2900~6500K	2400lm	24W	75lm/W	Ra>70	170lx	>0.95	120°	Yes
4	MPL-0603-30W	2900~6500K	3000lm	30W	80lm/W	Ra>70	200lx	>0.95	120°	Yes
5	MPL-0606-40W	2900~6500K	3900lm	40W	75lm/W	Ra>70	300lx	>0.95	120°	Yes
6	MPL-0606-60W	2900~6500K	6100lm	60W	80lm/W	Ra>70	420lx	>0.95	120°	Yes
7	MPL-1203-40W	2900~6500K	3900lm	40W	75lm/W	Ra>70	300lx	>0.95	120°	Yes
8	MPL-1203-60W	2900~6500K	6100lm	60W	80lm/W	Ra>70	420lx	>0.95	120°	Yes
9	MPL-1206-46W	2900~6500K	4200lm	46W	70lm/W	Ra>70	310lx	>0.95	120°	Yes
10	MPL-1206-70W	2900~6500K	6500lm	70W	75lm/W	Ra>70	430lx	>0.95	120°	Yes

## V. Testing report

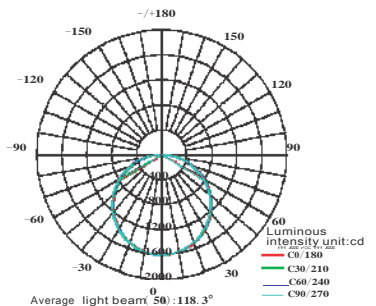
### ◎ Light distribution curve drawing



light distribution curve of MPL-0303-26W

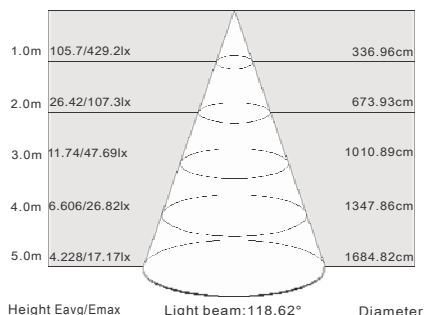


light distribution curve of MPL-0603-30W

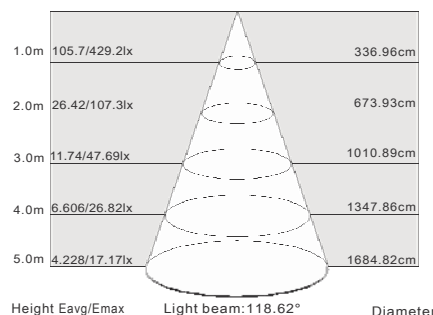


light distribution curve of MPL-0606-60W

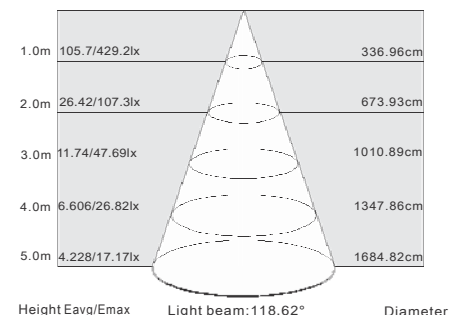
### ◎ Illumination Distribution Drawing



illumination distribution of MPL-0303-26W



illumination distribution of MPL-0603-30W

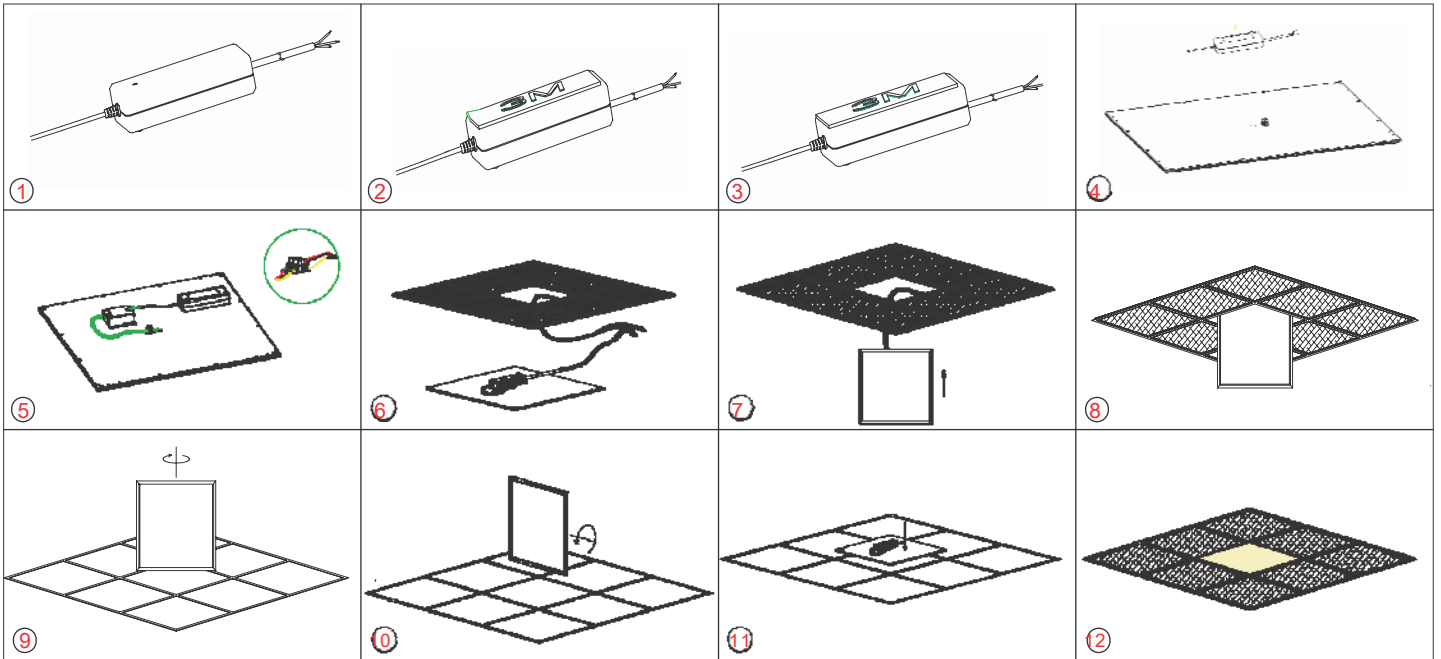


illumination distribution of MPL-0606-60W

## ◆ Dimmable LED Panel Series

### VI. Installation Method

#### ◎ Embedded method

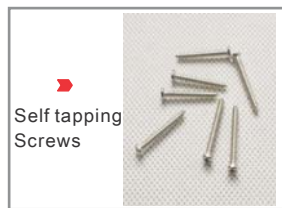
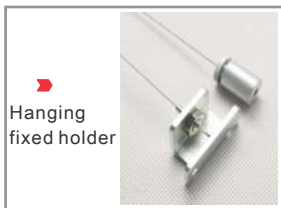
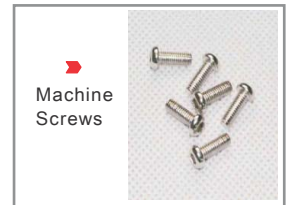


**Notes:** External driver should be installed by yourself.

**Procedure:**

1. Stick 3M adhesive tape on the back of drive;
2. Stick the driver on the back of LED panel. If the power supply used from others, please make sure the same voltage and current as our LED panel. Otherwise it will damage the LED panel. So we strongly suggest you use our driver. It is specially designed according to the LED panel.

#### ◎ Accessories



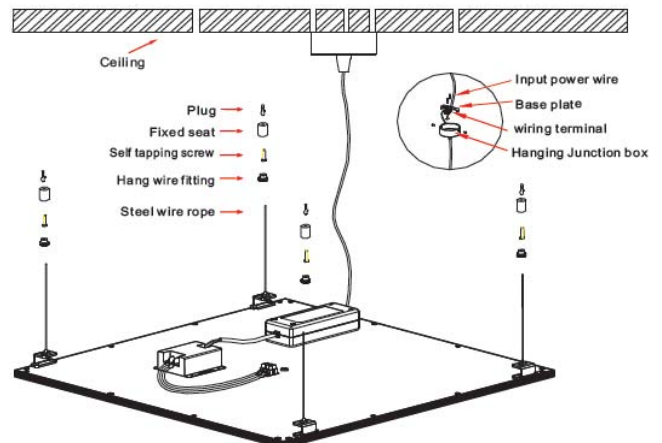
#### ◎ Wire hanging installation

**Installing procedures:**

1. Punch 5 holes in the ceiling;
2. Punch the "Plug" into hole;
3. Lock-in the base to plug hole with " self-tapping screw";
4. Screw the fast connect into the base;
5. Fix the base on the ceiling surface;
6. Draw the "Input power wire" from wire entry then connect with terminal;
7. Fix the base main part and base plate with screws;
8. Installation finished.

**Notes:**

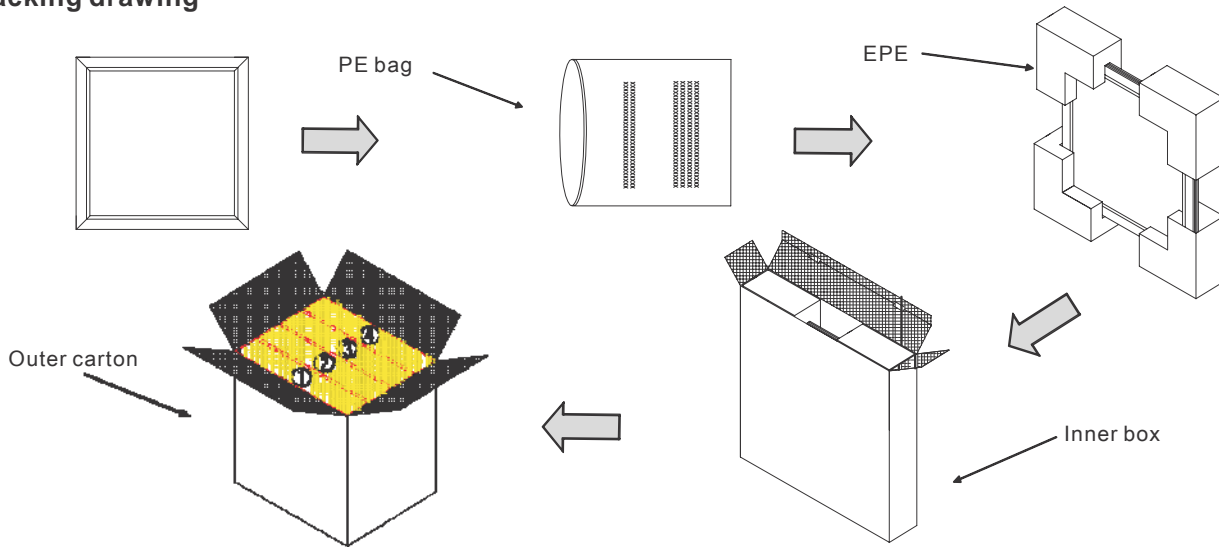
1. Rip off the pellicle after you finish the installation, to ensure no dust inside LED panel;
2. Debugging the LED panel after installation, then power on it;
3. Installation and maintenance by professional people only.



## ◆ Dimmable LED Panel Series

### VII. Packing

#### ◎ Packing drawing



#### ◎ Packing details

No.	Model	Dimension	Inner box size	Carton Size	G.W. (± 5%)	Qty/ Carton
1	MPL-0303-15W	300×300×12mm	370×52×370mm	385×235×390mm	6.9kg	4pcs
2	MPL-0303-26W	300×300×12mm	370×52×370mm	385×235×390mm	6.9kg	4pcs
3	MPL-0603-24W	600×300×12mm	670×52×370mm	685×235×390mm	12.7kg	4pcs
4	MPL-0603-30W	600×300×12mm	670×52×370mm	685×235×390mm	12.7kg	4pcs
5	MPL-0606-40W	595×595×12mm	670×52×670mm	685×235×690mm	21.5kg	4pcs
6	MPL-0606-60W	595×595×12mm	670×52×670mm	685×235×690mm	21.5kg	4pcs
7	MPL-0606-40W	600×600×12mm	670×52×670mm	685×235×690mm	21.5kg	4pcs
8	MPL-0606-60W	600×600×12mm	670×52×670mm	685×235×690mm	21.5kg	4pcs
9	MPL-1203-40W	1200×300×12mm	1270×52×370mm	1285×180×390mm	17.2kg	3pcs
10	MPL-1203-60W	1200×300×12mm	1270×52×370mm	1285×180×390mm	17.2kg	3pcs
11	MPL-1206-46W	1200×600×12mm	1270×52×670mm	1285×180×690mm	31.2kg	3pcs
12	MPL-1206-70W	1200×600×12mm	1270×52×670mm	1285×180×690mm	31.2kg	3pcs

### VIII. Notes:

1. When installing, try to avoid the minefields, strong magnetic field and high-voltage area;
2. Ensure a solid connection correctly in order to avoid damage of short circuit to components and trigger fires;
3. Installed in a well-ventilated place to ensure appropriate environmental temperature;
4. Please check local voltage in accordance with the product requirements before using the product;
5. To prohibit the live wiring, check to confirm the wiring correct, confirm no short-circuit and then power on;
6. In case of failures, do not maintain it in private.